



官网资讯

芯佰微电子（北京）有限公司

地址：北京市海淀区丰豪东路9号2号楼D座704

电话：010-62106066

邮箱：sales@corebai.com

网址：<http://www.corebai.com>



芯佰微电子（北京）有限公司
COREBAI MICROELECTRONICS (BEIJING) CO.

contents

03

公司简介

04

荣誉资质

06

发展历程

08

产品介绍

COMPANY PROFILE

公司简介

芯佰微电子(北京)有限公司成立于2014年,本着以“为客户创造价值,就是我们存在的价值的理念,“专芯发展”“用芯服务”“创芯未来”的创业宗旨,经过多年的发展,2016年获得高新技术企业证书,2017年获得中关村高新技术企业证书并加入半导体协会。现累计申请布图专利超过40项。充足的资金实力和雄厚的技术实力使得芯佰微电子自主研发并成功面市的产品迅速增加,目前已达11大类300余款,全部符合欧盟RoHS标准以及绿色环保标准。已经研发的主要产品为放大器、接口电路、电源管理,时间数字转换器、DAC数模转换、ADC模数转换等。

2014年
成立

产品广泛应用于手持移动终端、消费类电子产品、个人电脑及周边,网络、电信设备、医疗设备、办公设备、自动驾驶汽车中车载摄像头解决方案、域控制器等。

40⁺
布图专利

产品具有高可靠性、低功耗及适应便携式应用等特点,公司与多家世界知名晶圆厂、封装测试厂结成战略合作伙伴关系,更加确保了产品的产能及质量,最大限度维护了客户的利益。拥有来自第三方的先进生产线及强大产能支持,追求技术水平的持续提高及生产成本的控制。

300⁺
产品11大类

芯佰微电子(北京)有限公司组成:设计团队、销售团队、市场开拓团队。

设计团队:主要成员均具有10年以上模拟电路、数字电路设计经验,拥有先进的集成电路设计、工艺、生产、测试技术和质量管理经验。

销售团队:销售主管在芯片销售渠道内已经潜心经营10多年,对市场预判与变化,具有良好的洞察性。在北京、珠三角、香港、台湾均有分布销售网点。与各区域的芯片销售代理商拥有良好的、长期的合作关系。

企业文化



企业使命

通过科技创新创造智能社会



企业愿景

成为值得信赖和尊敬的一流企业



核心价值观

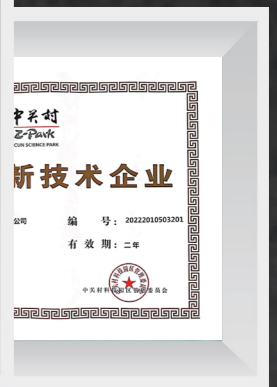
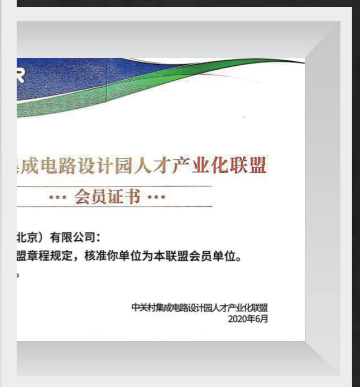
价值创造,给客户创造价值 诚信:诚实守信,实践积累
团队协作:共享共担,平等合作 优异:拒绝平庸,精益求精
拥抱变化:迎接变化,勇于创新 敬业:专业执着,突破自我

COREVAI



HONORS AND QUALIFICATIONS

荣誉资质



DEVELOPMENT PROCESS

发展历程

2014

芯佰微电子（北京）有限公司成立

2015

申请专利累计达到20余项，发明专利10项，实用新型发明专利10项，布局专利3项。

2017

销售业绩突破历史新高，产品得到广大用户的认可。

2016

高速14位DAC，2.5GSPS、高性能RF数模转换器流片成功，得到了广大客户的认可，并在产品应用方案内广泛使用。

2018

天津成立芯片研发设计部，设定新的产品研发方向。

2019

首批签约10家芯片销售代理商，全方位进行产品的市场推广。

2020

芯片设计研发团队再次扩张，公司总部入驻北京集成电路设计产业园 IC-PARK。

2021

芯佰微电子（深圳）有限公司正式成立。

2022

电压基准、模拟开关与多路复用器芯片同步启动设计研发工作。

2023

芯佰微电子推出高速ADC CBM16AD125产品，持续为技术提升与市场拓展积累经验和资源，逐步提升产品影响力。

2024

高速高精度ADC CBM96AD53。致力于更高速高精度ADC、DAC的设计研发。

PRODUCTS

产品介绍

High Speed A/D Converters: CBM16AD125
 High Speed A/D Converters: CBM94AD67
 High Speed A/D Converters: CBM96AD53

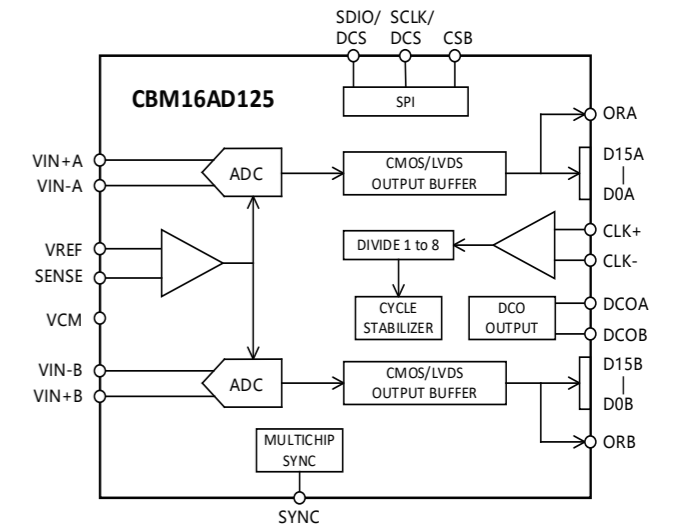
- | | |
|-----------------|--------------------|
| 高速模数转换器 (ADC) | 低噪声运算放大器 |
| 精密模数转换器 (ADC) | 纳安级功耗运算放大器 |
| 高速数模转换器 DAC | 高压通用运算放大器 |
| 精密数模转换器 DAC | 数字隔离器 |
| 直接数字频率合成器 (DDS) | 比较器 |
| 正交数字上变频器 (QDUC) | 接口 RS-485 和 RS-422 |
| USB 控制器 | 接口 RS-232 |
| 以太网控制器 | 电源管理 |
| 模拟开关与多路复用器 | 低成本微处理器监控电路 |
| 电压基准 | 时钟 |
| CAN 收发器 | 达林顿晶体管 |
| 逻辑门 | |
| 高速运算放大器 | |
| 精密运算放大器 | |
| 通用运算放大器 | |

High Speed A/D Converters: CBM16AD125

16-Bit, 125 MSPS/105 MSPS/80 MSPS, 1.8 V Dual Analog-to-Digital Converter

FEATURES:

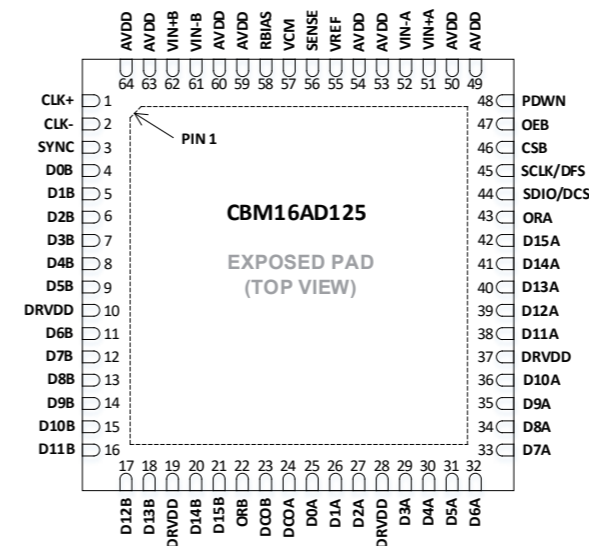
- SNR = 78 dBFS @ 70 MHz and 125 MSPS
- SFDR = 88 dBc @ 70 MHz and 125 MSPS
- Low power: 800 mW @ 125 MSPS
- 1.8 V analog supply operation
- 1.8 V CMOS or LVDS output supply
- Integer 1-to-8 input clock divider
- IF sampling frequencies to 300 MHz
 - 153.6 dBm/Hz small-signal input noise with 200 Ω input impedance @ 70 MHz and 125 MSPS
- Optional on-chip dither
- Programmable internal ADC voltage reference



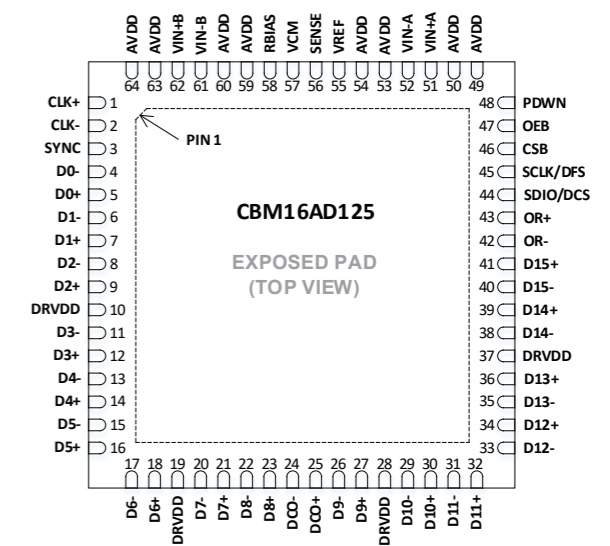
Functional block diagram

Note: Pin names are for the CMOS pin configuration only

PIN CONFIGURATIONS



QFN Parallel CMOS Pin Configuration
(Top View)



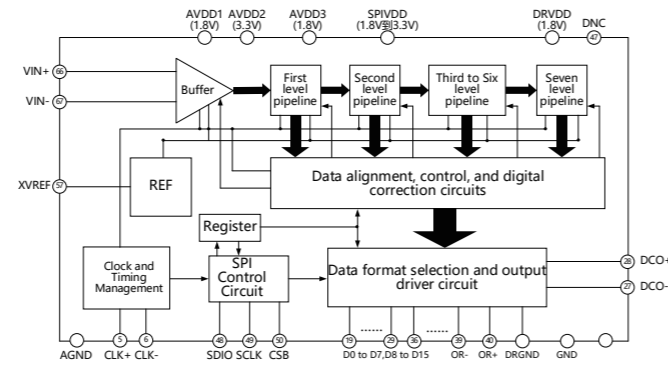
QFN Interleaved Parallel LVDS Pin Configuration
(Top View)

High Speed A/D Converters: CBM94AD67

16-Bit, 200 MSPS/250 MSPS Analog-to-Digital Converter

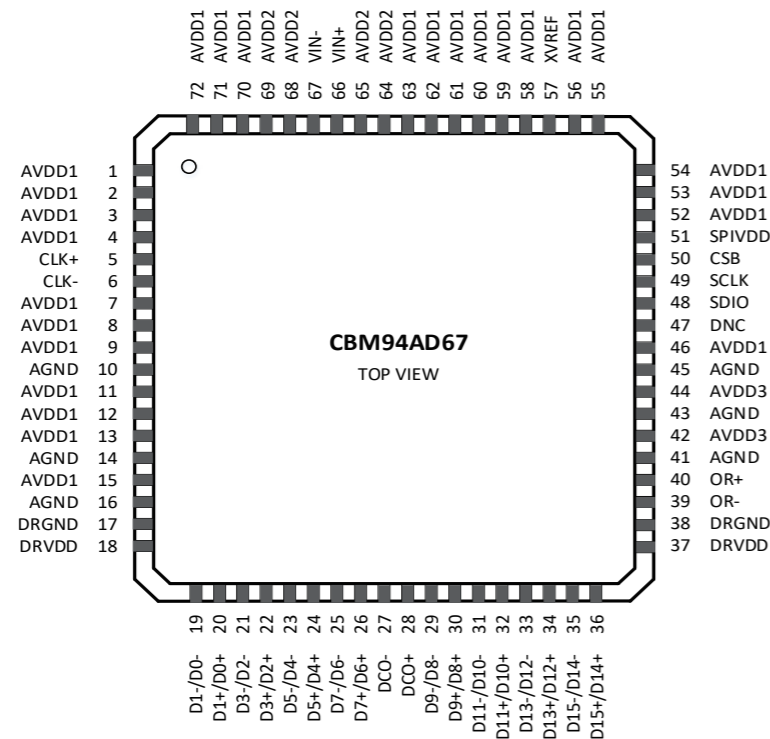
FEATURES:

- SNR: 75dBFS(170 MHz @ 250 MSPS)
- SFDR: 85dBc(170 MHz @ 250 MSPS)
- 60 fs rms jitter
- Excellent linearity at 250 MSPS
- DNL = ± 0.5 LSB typical
- INL = ± 3.5 LSB typical



Functional block diagram

PIN CONFIGURATIONS



CBM94AD67 Pin Configuration

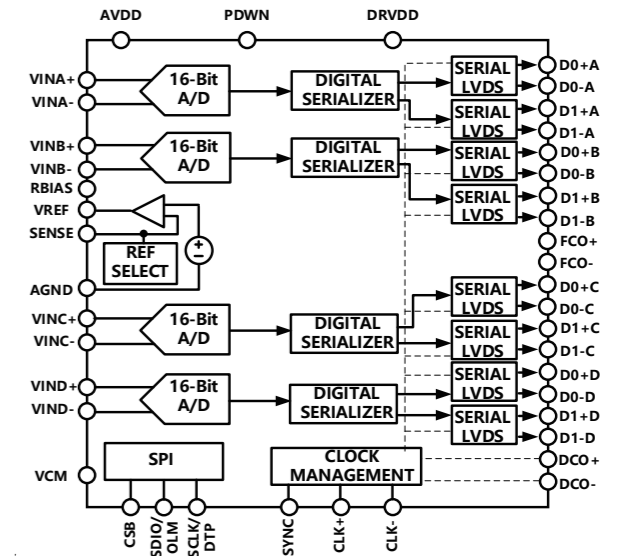
QFN-56 Pin Configuration, Top View

High Speed A/D Converters: CBM96AD53

Quad, 16-Bit, 125 MSPS Serial LVDS 1.8 V Analog-to-Digital Converter

FEATURES:

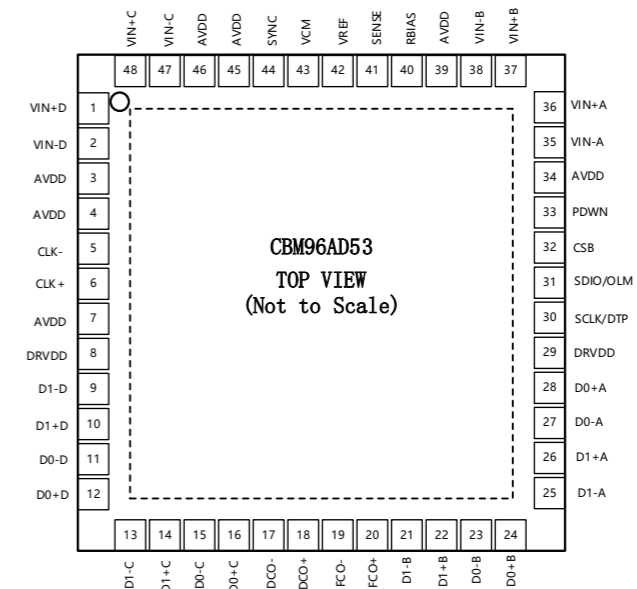
- 1.8 V supply operation
- Low power: 173 mW per channel at 125 MSPS with scalable power options
- SNR = 76.5 dBFS @ 70 MHz (2.0Vp-p input span)
- SNR = 77.5 dBFS @ 70 MHz (2.6Vp-p Input span)
- SFDR = 90 dBc (to Nyquist)
- DNL = ± 0.7 LSB (typical); INL = ± 3.5 LSB (typical)
- Serial LVDS (ANSI-644, default) and low power, reduced signal option (similar to IEEE 1596.3)
- 650 MHz full power analog bandwidth
- 2V p-p input voltage range (supports up to 2.6 V p-p)
- Serial port control



Functional block diagram

Note: Pin names are for the CMOS pin configuration only

PIN CONFIGURATIONS



CBM96AD53
TOP VIEW
(Not to Scale)

QFN-48 Pin Configuration, Top View

高速模数转换器 (ADC)

PRODUCT DATA 产品数据

Part Number	Resolution (bits)	Sample Rate(MSPS)	Channels	Signal-To-Noise Ratio(SNR)(dBFS)	Spurious-Free Dynamic Range(SFDR)(dB)	Power Consumption (mW)	Temperature Range(°C)	Package	Replace
CBM08AD1500QP	8	1500	2	44.5	54	500	-40 to 85	TQFP-128	ADC08D1500CIYB
CBM94AD34-500	12	500	1	63	72	900	-40 to 85	QFN-56	AD9434BCPZ-500
CBM41AD49QF	14	250	1	70	65	270	-40 to 85	QFN-48	ADS4149IRGZT
CBM16AD125Q	16	125	2	78	88	800	-40 to 85	QFN-64	AD9268BCPZ-125
CBM16AD105Q	16	105	2	78	88	615	-40 to 85	QFN-64	AD9268BCPZ-105
CBM16AD80Q	16	80	2	78	88	490	-40 to 85	QFN-64	AD9268BCPZ-80
CBM94AD67-250	16	250	1	75	85	1250	-40 to 85	QFN-72	AD9467BCPZ-250
CBM96AD56-125	16	125	4	79	93.2	706	-40 to 85	QFN-56	AD9656BCPZ-125
CBM96AD53-125	14	125	4	74	90	695	-40 to 85	QFN-48	AD9653BCPZ-125
CBM92AD65-125	16	125	1	79	93	410	-40 to 85	QFN-48	AD9265BCPZ-125
CBM92AD65-105	16	105	1	79	93	352	-40 to 85	QFN-48	AD9265BCPZ-105
CBM92AD65-80	16	80	1	79	93	263	-40 to 85	QFN-48	AD9265BCPZ-80

精密模数转换器 (ADC)

PRODUCT DATA 产品数据

Part Number	Resolution (bits)	Sample Rate(KSPS)	Channels	Signal-To-Noise Ratio(SNR)(dBFS)	Spurious-Free Dynamic Range(SFDR)(dB)	Power Consumption (mW)	Temperature Range(°C)	Package	Replace
CBM24AD99Q	24	16	8	121	-	39	-40 to 85	TQFP-64	ADS1299
CBM24AD98Q	24	32	8	112	-	17.5	-40 to 85	TQFP-64	ADS1298
CBM76AD06G	16	200	8	89	106	130	-40 to 85	LQFP-64	AD7606BSTZ
CBM79AD60G	18	5000	1	95.5	96.5	64.5	-40 to 85	QFN-32	AD7960BCPZ

高速数模转换器 DAC

PRODUCT DATA 产品数据

Part Number	Resolution (bits)	Update Rate(MSPS)	Channels	Spurious-Free Dynamic Range(SFDR)(dB)	Output Feature	Adjacent Channel Leakage Ratio(ACLR)(dB)	Noise Spectral Density (dB/hz)	Power Consumption (mW)	Temperature Range(°C)	Package	Replace
CBM97D39BG	14	2500	1	72	Programmable output current	80	-165	1050	-40 to 85	PBGA-160	AD9739BBCZ
CBM97D39AG	14	2500	1	72	Programmable output current	80	-165	1050	-40 to 85	PBGA-160	AD9739ABBCZ
CBM97D79TQ	16	1000	2	82	Programmable output current	81	-159	1100	-40 to 85	TQFP-100	AD9779BSVZ

精密数模转换器 DAC

PRODUCT DATA 产品数据

Part Number	Resolution (bits)	Supply Voltage(V)	INL/DNL (LSB)	Channels	Output Feature	Differential Output	Data Interface	Output Voltage Settling Time (us)	Temperature Range (°C)	Package	Replace
CBM53D04BMS	8	2.5-5.5	±0.15,±0.02	4	Voltage - Buffered	N	SPI	6	-40 to 125	MSOP-10	AD5304BRMZ
CBM53D04AMS	8	2.5-5.5	±0.15,±1	4	Voltage - Buffered	N	SPI	8	-40 to 125	MSOP-10	AD5304ARMZ
CBM53D04AQF	8	2.5-5.5	±0.15,±1	4	Voltage - Buffered	N	SPI	8	-40 to 125	QFN-10	AD5304ACPZ
CBM53D14AQF	10	2.5-5.5	±0.5,±0.05	4	Voltage - Buffered	N	SPI	9	-40 to 125	QFN-10	AD5314ACPZ
CBM53D14AMS	10	2.5-5.5	±0.5,±0.05	4	Voltage - Buffered	N	SPI	9	-40 to 125	MSOP-10	AD5314ARMZ
CBM53D14BQF	10	2.5-5.5	±0.5,±0.05	4	Voltage - Buffered	N	SPI	9	-40 to 125	QFN-10	AD5314BCPZ
CBM53D14BMS	10	2.5-5.5	±0.5,±0.05	4	Voltage - Buffered	N	SPI	9	-40 to 125	MSOP-10	AD5314BRMZ
CBM53D24AQF	12	2.5-5.5	±2, ±0.2	4	Voltage - Buffered	N	SPI	10	-40 to 125	QFN-10	AD5324ACPZ
CBM53D24AMS	12	2.5-5.5	±2, ±0.2	4	Voltage - Buffered	N	SPI	10	-40 to 125	MSOP-10	AD5324ARMZ
CBM53D24BQF	12	2.5-5.5	±2, ±0.2	4	Voltage - Buffered	N	SPI	10	-40 to 125	QFN-10	AD5324BCPZ
CBM53D24BMS	12	2.5-5.5	±2, ±0.2	4	Voltage - Buffered	N	SPI	10	-40 to 125	MSOP-10	AD5324BRMZ
CBM128S085TS	12	2.7-5.5	±2, +0.15/-0.09	8	Voltage - Buffered	N	SPI	8.5	-40 to 105	TSSOP-16	DAC128S085CIMTX
CBM128S085QS	12	2.7-5.5	±2, +0.15/-0.09	8	Voltage - Buffered	N	SPI	8.5	-40 to 105	QFN-16	DAC128S085CISQX
CBM108S085TS	10	2.7-5.5	±0.5,+0.08/-0.04	8	Voltage - Buffered	N	SPI	6	-40 to 105	TSSOP-16	DAC108S085CIMTX
CBM108S085QS	10	2.7-5.5	±0.5,+0.08/-0.04	8	Voltage - Buffered	N	SPI	6	-40 to 105	QFN-16	DAC108S085CISQX

直接数字频率合成器 (DDS)

PRODUCT DATA 产品数据

Part Number	Resolution (bits)	Reference Clock Frequency(MHz)	Channels	Spurious-Free Dynamic Range (SFDR)(dB)	Output Feature	Adjacent channel Leakage Radio(ACLR)(dB)	Noise Spectral Density (dB/hz)	Power Consumption (mW)	Temperature Range (°C)	Package	Replace
CBM99D10BQ	14	1000	1	80	Open-Drain Complementary current Source	--	--	723	-40 to 85	TQFP-100	AD9910BSVZ

正交数字上变频器 (QDUC)

PRODUCT DATA 产品数据

Part Number	Resolution (bits)	Reference Clock Frequency(MHz)	Channels	Spurious-Free Dynamic Range (SFDR)(dB)	Output Feature	Adjacent channel Leakage Radio(ACLR)(dB)	Noise Spectral Density (dB/hz)	Power Consumption (mW)	Temperature Range (°C)	Package	Replace
CBM99D57BQ	14	1000	1	80	Open-Drain Complementary current Source	76	166	810	-40 to 85	TQFP-100	AD9957BSVZ

USB 控制器

PRODUCT DATA 产品数据

Part Number	VCC (Min)(V)	VCC (Max)(V)	Core Processor	RAM Size	Function	Protocol Compatibility	System Interface	Temperature Range (°C)	Package	Replace
CBM9002A-56SCG	3	3.6	8051	16K×8	USB Device Controller	USB 2.0	Slave-FIFO,GPIF,GPIO	0 to 70	SSOP-56	CY7C68013A-56PVXC
CBM9002A-56BCG	3	3.6	8051	16K×8	USB Device Controller	USB 2.0	Slave-FIFO,GPIF,GPIO	0 to 70	BGA-56	CY7C68013A-56BAXC
CBM9002A-56LCG	3	3.6	8051	16K×8	USB Device Controller	USB 2.0	Slave-FIFO,GPIF,GPIO	0 to 70	QFN-56	CY7C68013A-56LTXC
CBM9002A-56ISG	3	3.6	8051	16K×8	USB Device Controller	USB 2.0	Slave-FIFO,GPIF,GPIO	-40 to 105	SSOP-56	CY7C68013A-56PVXI
CBM9002A-56IBG	3	3.6	8051	16K×8	USB Device Controller	USB 2.0	Slave-FIFO,GPIF,GPIO	-40 to 105	BGA-56	CY7C68013A-56BAXI
CBM9002A-56ILG	3	3.6	8051	16K×8	USB Device Controller	USB 2.0	Slave-FIFO,GPIF,GPIO	-40 to 105	QFN-56	CY7C68013A-56LTXI
CBM9002A-100TCG	3	3.6	8051	16K×8	USB Device Controller	USB 2.0	Slave-FIFO,GPIF,GPIO	-0 to 70	TQFP-100	CY7C68013A-100AXC
CBM9002A-100TIG	3	3.6	8051	16K×8	USB Device Controller	USB 2.0	Slave-FIFO,GPIF,GPIO	-40 to 105	TQFP-100	CY7C68013A-100AXI
CBM9001A-48AG	3	3.6	-	256×8	Host/Slave Controller	USB 1.1	Parallel 8bit,DMA	-40 to 85	TQFP-48	SL811HST-AXC

以太网控制器

PRODUCT DATA 产品数据

Part Number	Supply Voltage(V)	Digital Interface	PHY Speed	Protocol	Package	Temperature Range (°C)	Replace
CBM1001A-Q	3.3	General Processor Interface 8bit/16bit	10M/100M	IEEE802.3x	TQFP-48	0 to 70	DM9000AEP

电压基准

PRODUCT DATA 产品数据

Part Number	VO (V)	Reference Voltage (V)	Vin (min) (V)	Vin (max) (V)	Initial accuracy (max) (%)	Iout/Iz (max) (mA)	Temp coeff (typ) (ppm/°C)	Iq (typ) (mA)	Temperature Range (°C)	Package	Replace
CBM2912	1.25	--	1.8	5.5	2	25	35	0.042	-40 to 125	SOT23-3	REF2912
CBM2920	2.048	--	2.049	5.5	2	25	35	0.042	-40 to 125	SOT23-3	REF2920
CBM2925	2.5	--	2.501	5.5	2	25	35	0.042	-40 to 125	SOT23-3	REF2925
CBM2930	3	--	3.001	5.5	2	25	35	0.042	-40 to 125	SOT23-3	REF2930
CBM2933	3.3	--	3.301	5.5	2	25	35	0.042	-40 to 125	SOT23-3	REF2933
CBM2940	4.096	--	4.097	5.5	2	25	35	0.042	-40 to 125	SOT23-3	REF2940
CBM431	Adjustable	2.495	--	--	2	--	--	0.042	-40 to 125	SOT23-3/SOT89-3	TL431
CBM432	Adjustable	1.24	--	--	2	--	--	0.042	-40 to 125	SOT23-3/SOT89-3	TL432

CAN 收发器

PRODUCT DATA 产品数据

Part Number	CAN Channels	MCU I/O Interface (V)	Vin(Min to Max)(V)	Low Power Modes	Data Rate [min] kbps	Data Rate [max] kbps	Voltage on bus pins [Min-Max] (V)	VIO Option Available	GPIO	Temperature Range (°C)	Package	Replace
CBM1040A	1	5	4.75 to 5.25	Standby Mode	40	1000	-27 to 40	N	8	-40 to 150	SOP-8	TJA1040
CBM1050A	1	5	4.75 to 5.25	Silent mode	40	1000	-27 to 40	N	8	-40 to 150	SOP-8	TJA1050

Part Number	Device Configs	Power Supply Voltage-Single(min) (V)	Power Supply Voltage-Single(max) (V)	Power Supply Voltage-Dual(typ) (V)	Switch Ron(typ) (Ohms)	Switch Ron Flatness(typ) (Ohms)	Leakage Switch ON (typ) (pA)	Off Isolation (dB)	BW -3 dB (typ)(MHz)	Interface	Temperature Range (°C)	Package	Replace
CBMG719AST6	(2: 1) ×1	1.8	5.5	--	2.5	0.75	10	-87	200	Parallel	-40 to 125	SOT23-6	ADG719BRTZ
CBMG719AMS8	(2: 1) ×1	1.8	5.5	--	2.5	0.75	10	-87	200	Parallel	-40 to 125	MSOP-8	ADG719BRMZ
CBMG708ATS16	(8: 1) ×1	1.8	5.5	±2.5	3	0.75	10	-80	55	Parallel	-40 to 125	TSSOP-16	ADG708BRUZ
CBMG709ATS16	(4: 1) ×2	1.8	5.5	±2.5	3	0.75	10	-80	55	Parallel	-40 to 125	TSSOP-16	ADG709BRUZ
CBMG721AQF8	(1: 1) ×2	1.8	5.5	--	2	0.3	10	-80	200	Parallel	-40 to 85	QFN-8	ADG721ACPZ
CBMG721AMS8	(1: 1) ×2	1.8	5.5	--	2	0.3	10	-80	200	Parallel	-40 to 85	MSOP-8	ADG721BRMZ
CBMG722AQF8	(1: 1) ×2	1.8	5.5	--	2	0.3	10	-80	200	Parallel	-40 to 85	QFN-8	ADG722ACPZ
CBMG722AMS8	(1: 1) ×2	1.8	5.5	--	2	0.3	10	-80	200	Parallel	-40 to 85	MSOP-8	ADG722BRMZ
CBMG723AQF8	(1: 1) ×2	1.8	5.5	--	2	0.3	10	-80	200	Parallel	-40 to 85	QFN-8	ADG723ACPZ
CBMG723AMS8	(1: 1) ×2	1.8	5.5	--	2	0.3	10	-80	200	Parallel	-40 to 85	MSOP-8	ADG723BRMZ
CBMG701AST5	(1: 1) ×1	1.8	5.5	--	2	0.5	10	-75	200	Parallel	-40 to 85	SOT23-5	ADG701BRJZ
CBMG701AST6	(1: 1) ×1	1.8	5.5	--	2	0.5	10	-75	200	Parallel	-40 to 85	SOT23-6	ADG701BRTZ
CBMG701AMS8	(1: 1) ×1	1.8	5.5	--	2	0.5	10	-75	200	Parallel	-40 to 85	MSOP-8	ADG701BRMZ
CBMG702AST5	(1: 1) ×1	1.8	5.5	--	2	0.5	10	-75	200	Parallel	-40 to 85	SOT23-5	ADG702BRJZ
CBMG702AST6	(1: 1) ×1	1.8	5.5	--	2	0.5	10	-75	200	Parallel	-40 to 85	SOT23-6	ADG702BRTZ
CBMG702AMS8	(1: 1) ×1	1.8	5.5	--	2	0.5	10	-75	200	Parallel	-40 to 85	MSOP-8	ADG702BRMZ
CBMG736AMS8	(2: 1) ×2	1.8	5.5	--	2	0.45	10	-82	200	Parallel	-40 to 125	MSOP-10	ADG736BRMZ
CBMG711ATS16	(1: 1) ×4	1.8	5.5	--	2	0.3	10	-78	200	Parallel	-40 to 85	TSSOP-16	ADG711BRUZ
CBMG711AS16	(1: 1) ×4	1.8	5.5	--	2	0.3	10	-78	200	Parallel	-40 to 85	SOP-16	ADG711BRZ
CBMG712ATS16	(1: 1) ×4	1.8	5.5	--	2	0.3	10	-78	200	Parallel	-40 to 85	TSSOP-16	ADG712BRUZ
CBMG712AS16	(1: 1) ×4	1.8	5.5	--	2	0.3	10	-78	200	Parallel	-40 to 85	SOP-16	ADG712BRZ
CBMG713ATS16	(1: 1) ×4	1.8	5.5	--	2	0.3	10	-78	200	Parallel	-40 to 85	TSSOP-16	ADG713BRUZ

Part Number	Device Configs	Power Supply Voltage-Single(min) (V)	Power Supply Voltage-Single(max) (V)	Power Supply Voltage-Dual(typ) (V)	Switch Ron(typ) (Ohms)	Switch Ron Flatness(typ) (Ohms)	Leakage Switch ON (typ) (pA)	Off Isolation (dB)	BW -3 dB (typ)(MHz)	Interface	Temperature Range (°C)	Package	Replace
CBMG713AS16	(1: 1) ×4	1.8	5.5	--	2	0.3	10	-78	200	Parallel	-40 to 85	SOP-16	ADG713BRZ
CBMG781AQF20	(1: 1) ×4	1.8	5.5	--	2.5	0.5	10	-78	200	Parallel	-40 to 85	QFN-20	ADG781BCPZ
CBMG782AQF20	(1: 1) ×4	1.8	5.5	--	2.5	0.5	10	-78	200	Parallel	-40 to 85	QFN-20	ADG782BCPZ
CBMG783AQF20	(1: 1) ×4	1.8	5.5	--	2.5	0.5	10	-78	200	Parallel	-40 to 85	QFN-20	ADG783BCPZ
CBMG726AQF48	(16: 1) ×2	1.8	5.5	±2.5	4	0.5	50	-72	34	Parallel	-40 to 85	QFN-48	ADG726BCPZ
CBMG726ATQ48	(16: 1) ×2	1.8	5.5	±2.5	4	0.5	50	-72	34	Parallel	-40 to 85	TQFP-48	ADG726BSUZ
CBMG732AQF48	(32: 1) ×1	1.8	5.5	±2.5	4	0.5	50	-72	18	Parallel	-40 to 85	QFN-48	ADG732BCPZ
CBMG732ATQ48	(32: 1) ×1	1.8	5.5	±2.5	4	0.5	50	-72	18	Parallel	-40 to 85	TQFP-48	ADG732BSUZ
CBMG704AMS10	(4: 1) ×1	1.8	5.5	--	2.5	0.5	10	-80	200	Parallel	-40 to 85	MSOP-10	ADG704BRM
CBMG706ATS28	(16: 1) ×1	1.8	5.5	±2.5	2.5	0.5	10	-80	25	Parallel	-40 to 85	TSSOP-28	ADG706BRUZ
CBMG707ATS28	(8: 1) ×2	1.8	5.5	±2.5	2.5	0.5	10	-80	36	Parallel	-40 to 85	TSSOP-28	ADG707BRUZ
CBMG714AQF24	(1: 1) ×8	2.7	5.5	±2.5	2.5	0.6	10	-80	155	SPI	-40 to 85	QFN-24	ADG714BCPZ
CBMG714ATS24	(1: 1) ×8	2.7	5.5	±2.5	2.5	0.6	10	-80	155	SPI	-40 to 85	TSSOP-24	ADG714BRUZ
CBMG715ATS24	(1: 1) ×8	2.7	5.5	±2.5	2.5	0.6	10	-80	155	I2C	-40 to 85	TSSOP-24	ADG715BRUZ
CBMG728ATS16	(8: 1) ×1	2.7	5.5	--	2.5	0.75	10	-75	65	I2C	-40 to 85	TSSOP-16	ADG728BRUZ
CBMG729ATS16	(4: 1) ×2	2.7	5.5	--	2.5	0.75	10	-75	100	I2C	-40 to 85	TSSOP-16	ADG729BRUZ
CBMG733ATS16	(2: 1) ×3	1.8	5.5	±2.5	2.5	0.5	10	-72	160	Parallel	-40 to 85	TSSOP-16	ADG733BRUZ
CBMG733AQS16	(2: 1) ×3	1.8	5.5	±2.5	2.5	0.5	10	-72	160	Parallel	-40 to 85	QSOP-16	ADG733BRQZ
CBMG734ATS20	(2: 1) ×4	1.8	5.5	±2.5	2.5	0.5	10	-72	160	Parallel	-40 to 85	TSSOP-20	ADG734BRUZ
CBMG738ATS16	(8: 1) ×1	2.7	5.5	--	2.5	0.75	10	-75	65	SPI	-40 to 105	TSSOP-16	ADG738BRUZ
CBMG739ATS16	(4: 1) ×2	2.7	5.5	--	2.5	0.75	10	-75	100	SPI	-40 to 85	TSSOP-16	ADG739BRUZ

Part Number	Supply voltage (min)(V)	Supply voltage (max) (V)	Subcategory	Technology family	Inputs per channel	IOL (max) (mA)	IOH (max) (mA)	Input type	Output type	Data rate (max) (Mbps)	Temperature Range(°C)	Package	Replace
CBM74AHC1G00	2	5.5	与非门	AHC	2	8	-8	Standard CMOS	Push-Pull	110	-40 to 125	SOT23-5/SC70-5	SN74AHC1G00
CBM74AHC1G02	2	5.5	或非门	AHC	2	8	-8	Standard CMOS	Push-Pull	110	-40 to 125	SOT23-5/SC70-5	SN74AHC1G02
CBM74AHC1G04	2	5.5	非门	AHC	1	8	-8	Standard CMOS	Push-Pull	--	-40 to 125	SOT23-5/SC70-5	SN74AHC1G04
CBM74AHC1G08	2	5.5	与门	AHC	2	8	-8	Standard CMOS	Push-Pull	110	-55 to 125	SOT23-5/SC70-5	SN74AHC1G08
CBM74AHC1G14	2	5.5	非门	AHC	1	8	-8	Schmitt-Trigger	Push-Pull	--	-40 to 125	SOT23-5/SC70-5	SN74AHC1G14
CBM74AHC1GU04	2	5.5	非门	AHC	1	8	-8	Standard CMOS	Push-Pull	--	-40 to 125	SOT23-5/SC70-5	SN74AHC1GU04
CBM74AHC1G09	2	5.5	与门	AHC	2	8	0	Standard CMOS	Open-drain	110	-55 to 125	SOT23-5/SC70-5	SN74AHC1G09
CBM74AHC1G32	2	5.5	或门	AHC	2	8	-8	Standard CMOS	Push-Pull	110	-40 to 125	SOT23-5/SC70-5	SN74AHC1G32
CBM74AHC1G86	2	5.5	XOR (异或) 门	AHC	2	8	-8	Standard CMOS	Push-Pull	110	-40 to 125	SOT23-5/SC70-5	SN74AHC1G86
CBM74AHC1G125	2	5.5	同相缓冲器和驱动器	AHC	1	8	-8	Standard CMOS	3-State	--	-40 to 125	SOT23-5/SC70-5	SN74AHC1G125
CBM74AHC1G126	2	5.5	同相缓冲器和驱动器	AHC	1	8	-8	Standard CMOS	3-State	--	-40 to 125	SOT23-5/SC70-5	SN74AHC1G126

Part Number	Amplifiers per Package	GBW Typ (MHz)	Slew Rate Typ(V/us)	Total Supply Voltage (Min)(V)	Total Supply Voltage(Max)(V)	Vos Max@25°C (mV)	ENOISE Typ@1MHz (nV/√Hz)	Iq/Amp Typ(mA)	IB Typ (pA)	Temperature Range (°C)	Package	Replace
CBM8051	1	250	180	2.5	5.5	8	4.9	2.9	1	-40 to 125	SC70-5 SC70-6 SOT23-5 SOT23-6 SOP-8	AD8051
CBM8052	2	250	180	2.5	5.5	8	4.9	2.9	1	-40 to 125	SOP-8 MSOP-8 TSSOP-8	AD8052
CBM8054	4	250	180	2.5	5.5	8	4.9	2.9	1	-40 to 125	SOP-4 TSSOP-14	AD8054
CBM8091	1	350	232	2.5	5.5	8	4.3	4.2	1	-40 to 125	SC70-5 SOT23-5 SOP-8	AD8091
CBM8092	2	350	232	2.5	5.5	8	4.3	4.2	1	-40 to 125	SOP-8 MSOP-8 TSSOP-8	AD8092
CBM8094	4	350	232	2.5	5.5	8	4.3	4.2	1	-40 to 125	SOP-4 TSSOP-14	AD8094

Part Number	Amplifiers per Package	Vos(Offset Voltage Typ @25°C (uV)	TC of Vos Typ (uV/°C)	IB Typ (pA)	ENOISE 0.01Hz-10Hz(uVpp)	ENOISE Typ@1kHz (nV/√Hz)	Rail-to-Rail I/O	Total Supply Voltage (Min)(V)	Total Supply Voltage (Max)(V)	GBW Typ (MHz)	Slew Rate Typ (V/us)	Iq /Amp Typ (uA)	Additional Feature	Aol Typ (dB)	CMRR Typ (dB)	Temperature Range(°C)	Package	Replace
CBM8601	1	80	2	1	--	33	In,Out	2.7	5.5	8.5	5	750	--	100	85	-40 to 125	SOT23-5	AD8601
CBM8602	2	80	2	1	--	33	In,Out	2.7	5.5	8.5	5	750	--	100	85	-40 to 125	SOP-8 MSOP-8	AD8602
CBM8604	4	80	2	1	--	33	In,Out	2.7	5.5	8.5	5	750	--	100	85	-40 to 125	SOP-14 TSSOP-14	AD8604
CBM8605	1	65	1.5	1	3.5	12	In,Out	2.7	5.5	8.7	4.5	1000	--	120	100	-40 to 125	WLCSP-5 SOT23-5	AD8605
CBM8606	2	65	1.5	1	3.5	12	In,Out	2.7	5.5	8.7	4.5	1000	--	120	100	-40 to 125	WLCSP-8 MSOP-8 SOP-8	AD8606
CBM8608	4	65	1.5	1	3.5	12	In,Out	2.7	5.5	8.7	4.5	1000	--	120	100	-40 to 125	SOP-14 TSSOP-14	AD8608
CBM8655	1	50	0.4	1	2.7	4	In,Out	2.7	5.5	27	11	3700	EMI Hardened	105	105	-40 to 125	SOP-8 MSOP-8	AD8655
CBM8656	2	50	0.4	1	2.7	4	In,Out	2.7	5.5	27	11	3700	EMI Hardened	105	105	-40 to 125	SOP-8 MSOP-8	AD8656
CBM8551	1	5	0.005	50	0.75	35	In,Out	2.7	5.5	4.5	2.7	640	EMI Hardened	130	130	-40 to 125	SOP-8 MSOP-8	AD8551
CBM8552	2	5	0.005	50	0.75	35	In,Out	2.7	5.5	4.5	2.7	640	EMI Hardened	130	130	-40 to 125	SOP-8 MSOP-8	AD8552
CBM8554	4	5	0.005	50	0.75	35	In,Out	2.7	5.5	4.5	2.7	640	EMI Hardened	130	130	-40 to 125	SOP-14 TSSOP-14	AD8554
CBM8538	1	5	0.005	50	1.3	60	In,Out	2.5	5.5	1.6	0.7	180	EMI Hardened	130	130	-40 to 125	SOP-8 MSOP-8	AD8538
CBM8539	2	5	0.005	50	1.3	60	In,Out	2.5	5.5	1.6	0.7	180	EMI Hardened	130	130	-40 to 125	SOP-8 MSOP-8	AD8539
CBM8333	1	2	0.05	20	1.1	70	In,Out	1.8	5.5	0.35	0.2	20	EMI Hardened	145	110	-40 to 125	SOT23-5 SC70-5 SOP-8	OPA333
CBM8336	2	2	0.05	20	1.1	70	In,Out	1.8	5.5	0.35	0.2	20	EMI Hardened	145	110	-40 to 125	SOP-8 MSOP-8	OPA2333

Part Number	Amplifiers per Package	Vos(Offset Voltage Typ @25°C (uV)	TC of Vos Typ (uV/°C)	IB Typ (pA)	ENOISE 0.01Hz-10Hz(uVpp)	ENOISE Typ@1kHz (nV/√Hz)	Rail-to-Rail I/O	Total Supply Voltage (Min)(V)	Total Supply Voltage (Max)(V)	GBW Typ (MHz)	Slew Rate Typ (V/us)	Iq /Amp Typ (uA)	Additional Feature	Aol Typ (dB)	CMRR Typ (dB)	Temperature Range(°C)	Package	Replace
CBM8339	4	2	0.05	20	1.1	70	In,Out	1.8	5.5	0.35	0.2	20	EMI Hardened	145	110	-40 to 125	SOP-14 TSSOP-14	TLV4333
CBM8557	1	50	0.03	50	0.93	35	In,Out	2.7	5.5	4.3	2.5	650	EMI Hardened	130	130	-40 to 125	SOP-8 MSOP-8	TLV376
CBM8558	2	50	0.03	50	0.93	35	In,Out	2.7	5.5	4.3	2.5	650	EMI Hardened	130	130	-40 to 125	SOP-8 MSOP-8	TLV2376
CBM8559	4	50	0.03	50	0.93	35	In,Out	2.7	5.5	4.3	2.5	650	EMI Hardened	130	130	-40 to 125	SOP-14 TSSOP-14	TLV4376
CBM8521	1	5	0.005	10	3.2	140	In,Out	2.3	5.5	0.35	0.17	60	EMI Hardened	130	130	-40 to 125	SOP-8 MSOP-8	OPA330
CBM8522	2	5	0.005	10	3.2	140	In,Out	2.3	5.5	0.35	0.17	60	EMI Hardened	130	130	-40 to 125	SOP-8 MSOP-8	OPA2330
CBM8524	4	5	0.005	10	3.2	140	In,Out	2.3	5.5	0.35	0.17	60	EMI Hardened	130	130	-40 to 125	SOP-14 TSSOP-14	OPA4330
CBM8511	1	40	0.005	50	1.6	70	In,Out	2.3	5.5	0.35	0.17	60	EMI Hardened	130	130	-40 to 125	SOT23-5 SOP-8 MSOP-8	TLV333
CBM8512	2	40	0.005	50	1.6	70	In,Out	2.3	5.5	0.35	0.17	60	EMI Hardened	130	130	-40 to 125	SOP-8 MSOP-8	TLV2333
CBM8514	4	40	0.005	50	1.6	70	In,Out	2.3	5.5	0.35	0.17	60	EMI Hardened	130	130	-40 to 125	SOP-14 TSSOP-14	TLV4333
CBM8561	1	5	0.005	50	0.6	33	In,Out	2.9	5.5	11	7.5	1250	EMI Hardened	130	130	-40 to 125	SOT23-5 SOP-8 MSOP-8	MCP6021
CBM8562	2	5	0.005	50	0.6	33	In,Out	2.9	5.5	11	7.5	1250	EMI Hardened	130	130	-40 to 125	SOP-8 MSOP-8	MCP6022
CBM8564	4	5	0.005	50	0.6	33	In,Out	2.9	5.5	11	7.5	1250	EMI Hardened	130	130	-40 to 125	SOP-14 TSSOP-14	MCP6024
CBM27A	1	26	0.2	10000	0.09	3	--	8	36	8	2.8	3330	--	125	130	-40 to 125	SOP-8	OP27A
CBM27G	1	100	0.4	15000	0.1	3.1	--	8	36	8	2.8	3500	--	123	125	-40 to 125	SOP-8	OP27G
CBM8628	1	1	0.002	100	0.5	22	In,Out	2.7	5.5	2	1	750	--	120	130	-40 to 125	TSOS-5 SOT23-5 SOP-8	AD8628
CBM8629	2	1	0.002	100	0.5	22	In,Out	2.7	5.5	2	1	750	--	140	130	-40 to 125	MSOP-8 SOP-8	AD8629
CBM8630	4	1	0.002	100	0.5	22	In,Out	2.7	5.5	2	1	750	--	140	130	-40 to 125	SOP-14 TSSOP-14	AD8630

Part Number	Amplifiers per Package	GBW Typ (MHz)	Slew Rate Typ (V/ms)	Total Supply Voltage (Min)(V)	Total Supply Voltage (Max)(V)	ENOISE Typ@1kHz (nV/√Hz)	Vos Max@25°C (mV)	TC of Vos Typ (μV/°C)	IB Typ (pA)	Iq/Amp Typ(μA)	Rail-to-Rail I/O	Aol Typ (dB)	CMRR Typ(dB)	Additional Feature	Temperature Range(°C)	Package	Replace
CBMV321	1	1.1	500	2.5	5.5	23	4.5	2.9	1	60	In,Out	100	80	--	-40 to 125	SOT23-5 SOP-8 MSOP-8	LMV321
CBMV358	2	1.1	500	2.5	5.5	23	4.5	2.9	1	60	In,Out	100	80	--	-40 to 125	SOP-8 MSOP-8 TSSOP-8	LMV358
CBMV324	4	1.1	500	2.5	5.5	23	4.5	2.9	1	60	In,Out	100	80	--	-40 to 125	SOP-14 TSSOP-14	LMV324
CBM8541	1	1.1	500	2.5	5.5	22	3	2	1	58	In,Out	110	90	--	-40 to 125	SC70-5 SOT23-5 SOP-8	AD8541
CBM8542	2	1.1	500	2.5	5.5	22	3	2	1	58	In,Out	110	90	--	-40 to 125	SOP-8 MSOP-8	AD8542
CBM8544	4	1.1	500	2.5	5.5	22	3	2	1	58	In,Out	110	90	--	-40 to 125	SOP-14 TSSOP-14	AD8544
CBM6001	1	1	800	1.8	6	27	3.5	2.7	1	75	In,Out	100	70	EMI Hardened	-40 to 125	SC70-5 SOT23-5 SOP-8	MCP6001
CBM6002	2	1	800	1.8	6	27	3.5	2.7	1	75	In,Out	100	70	EMI Hardened	-40 to 125	SOP-8 MSOP-8	MCP6002
CBM6004	4	1	800	1.8	6	27	3.5	2.7	1	75	In,Out	100	70	EMI Hardened	-40 to 125	SOP-14 TSSOP-14	MCP6004
CBM8531	1	3	500	2.7	6	45	25	20	5	750	In,Out	98	47	High output current ±250mA	-40 to 125	SOT23-5 SOP-8	AD8531
CBM8532	2	3	500	2.7	6	45	25	20	5	750	In,Out	98	47	High output current ±250mA	-40 to 125	SOP-8 MSOP-8	AD8532
CBM8534	4	3	500	2.7	6	45	25	20	5	750	In,Out	98	47	High output current ±250mA	-40 to 125	SOP-14 TSSOP-14	AD8534
CBM8221	1	0.5	180	2.5	5.5	77	3.5	2.9	1	18	In,Out	110	90	-	-40 to 125	SOT23-5 SOP-8 MSOP-8	TLV2451
CBM8222	2	0.5	180	2.5	5.5	77	3.5	2.9	1	18	In,Out	110	90	-	-40 to 125	SOP-8 MSOP-8 TSSOP-8	TLV2452
CBM8224	4	0.5	180	2.5	5.5	77	3.5	2.9	1	18	In,Out	110	90	-	-40 to 125	SOP-14 TSSOP-14	TLV2454

低噪声运算放大器

PRODUCT DATA 产品数据

Part Number	Amplifiers per Package	ENOISE Typ@1kHz (nV/√Hz)	GBW Typ (MHz)	Slew Rate Typ (V/us)	Total Supply Voltage (Min)(V)	Total Supply Voltage (Max)(V)	Vos Max@25°C (mV)	TC of Vos Typ (μV/°C)	IB Typ (pA)	Iq/Amp Typ(μA)	Rail-to-Rail I/O	Aol Typ(dB)	CMRR Typ(dB)	Temperature Range(°C)	Package	Replace
CBM8631	1	13	6	4.2	2.1	5.5	3.5	2.4	1	470	In,Out	108	90	-40 to 125	SC70-5 SOT23-5	AD8631
CBM8632	2	13	6	4.2	2.1	5.5	3.5	2.4	1	470	In,Out	108	90	-40 to 125	SOP-8 MSOP-8	AD8632
CBM8634	4	13	6	4.2	2.1	5.5	3.5	2.4	1	470	In,Out	108	90	-40 to 125	SOP-14 TSSOP-14	AD8634
CBMV721	1	11.5	11	9	2.1	5.5	3.5	2.4	1	1000	In,Out	108	90	-40 to 125	SC70-5 SOT23-5	LMV721
CBMV722	2	11.5	11	9	2.1	5.5	3.5	2.4	1	1000	In,Out	108	90	-40 to 125	SOP-8 MSOP-8	LMV722
CBMV724	4	11.5	11	9	2.1	5.5	3.5	2.4	1	1000	In,Out	108	90	-40 to 125	SOP-14 TSSOP-14	TLV4316
CBM8621	1	11	7	3.7	2.5	5.5	3	2	1	600	In,Out	106	92	-40 to 125	SOT23-5 SOP-8 MSOP-8	OPA374
CBM8622	2	11	7	3.7	2.5	5.5	3	2	1	600	In,Out	106	92	-40 to 125	SOP-8 MSOP-8	OPA2374
CBM8624	4	11	7	3.7	2.5	5.5	3	2	1	600	In,Out	106	92	-40 to 125	SOP-14 TSSOP-14	OPA4374

纳安级功耗运算放大器

PRODUCT DATA 产品数据

Part Number	Amplifiers per Package	Iq/Amp Typ(nA)	Total Supply Voltage (Min)(V)	Total Supply Voltage (Max)(V)	GBP Typ (KHz)	Slew Rate Typ(V/ms)	ENOISE Typ@1kHz (nV/√Hz)	Vos Max @25°C (mV)	TC of Vos Typ (μV/°C)	IB Typ (pA)	Aol Typ (dB)	CMRR Typ (dB)	Rail-to-Rail I/O	Temperature Range(°C)	Package	Replace
CBM6041	1	600	1.4	5.5	0.015	4.5	15	3	2.7	1	100	70	In,Out	-40 to 125	SC70-5 SOT23-5	MCP6041
CBM6042	2	600	1.4	5.5	0.015	4.5	15	3	2.7	1	100	70	In,Out	-40 to 125	SOP-8 MSOP-8	MCP6042
CBM6044	4	600	1.4	5.5	0.015	4.5	15	3	2.7	1	100	70	In,Out	-40 to 125	SOP-14 TSOP-14	MCP6044
CBM8031	1	670	1.4	5.5	15	7.5	160	3	2.3	1	106	90	In,Out	-40 to 125	SC70-5 SOT23-5	AD8500
CBM8032	2	670	1.4	5.5	15	7.5	160	3	2.3	1	106	90	In,Out	-40 to 125	SOP-8 MSOP-8	AD8502
CBM8034	4	670	1.4	5.5	15	7.5	160	3	2.3	1	106	90	In,Out	-40 to 125	SOP-14 TSOP-14	AD8504
CBM8045	1	600	1.4	5.5	100	40	--	3	2.5	1	84	77	In,Out	-40 to 125	SOT23-5/ SC70-5	
CBM8046	2	600	1.4	5.5	100	40	--	3	2.5	1	84	77	In,Out	-40 to 125	SOP-8/ MSOP-8	
CBM8047	1	600	1.4	5.5	100	40	--	3	2.5	1	84	77	In,Out	-40 to 125	SOT23-6/ SC70-6	

高压通用运算放大器

PRODUCT DATA 产品数据

Part Number	Amplifiers per Package	Total Supply Voltage (Min)(V)	Total Supply Voltage (Max)(V)	GBW Typ (MHz)	Slew Rate Typ(V/us)	Rail-to-Rail I/O	Vos Max@25°C (mV)	TC of Vos Typ (μV/°C)	Iq/Amp Typ(μA)	ENOISE Typ@1kHz (nV/√Hz)	IB Typ(nA)	Aol Typ(dB)	CMRR Typ(dB)	Temperature Range(°C)	Package	Replace
CBMLM321	1	3	24	1	0.4	N/Y	5	7	250	40	44	100	90	-40 to 125	SOT23-5	LM321
CBMLM358	2	3	24	1	0.4	N/Y	5	7	250	40	44	100	90	-40 to 125	SOP-8	LM358
CBMLM324	4	3	24	1	0.4	N/Y	5	7	250	40	44	100	85	-40 to 125	SOP-14	LM324
CBM2904	2	3	32	1	0.5	N/Y	5	7	250	40	50	100	80	-40 to 125	SOP-8	LM2904
CBM2902	4	3	32	1	0.5	N/Y	5	7	250	40	50	100	80	-40 to 125	SOP-14	LM2902

数字隔离器

PRODUCT DATA 产品数据

Part Number	Data rate(Max) (Mbps)	Forward/reverse channels	Integrated isolated power	Isolation rating (V rms)	Propagation delay (Typ)(ns)	VCC (Min)(V)	VCC (Max)(V)	Default output	Temperature Range (°C)	Package	Replace
CBMuD1402LAS16	90	2/2	NO	3000	10	2.5	5.5	L	-40 to 105	WIDE SOP-16	ADuM1402ARW
CBMuD1402HAS16	90	2/2	NO	3000	10	2.5	5.5	H	-40 to 105	WIDE SOP-16	ADuM1402ARW
CBMuD1401LAS16	90	3/1	NO	3000	10	2.5	5.5	L	-40 to 105	WIDE SOP-16	ADuM1401ARW
CBMuD1401HAS16	90	3/1	NO	3000	10	2.5	5.5	H	-40 to 105	WIDE SOP-16	ADuM1401ARW
CBMuD1400LAS16	90	4/0	NO	3000	10	2.5	5.5	L	-40 to 105	WIDE SOP-16	ADuM1400ARW
CBMuD1400HAS16	90	4/0	NO	3000	10	2.5	5.5	H	-40 to 105	WIDE SOP-16	ADuM1400ARW
CBMuD1201HAS8	90	1/1	NO	3000	10	2.5	5.5	H	-40 to 85	SOP-8	ADuM1201ARZ
CBMuD1201LAS8	90	1/1	NO	3000	10	2.5	5.5	L	-40 to 85	SOP-8	--
CBMuD1200HAS8	90	2/0	NO	3000	10	2.5	5.5	H	-40 to 85	SOP-8	ADUM1200ARZ
CBMuD1200LAS8	90	2/0	NO	3000	10	2.5	5.5	L	-40 to 85	SOP-8	--

比较器

PRODUCT DATA 产品数据

Part Number	Number of channels (#)	Output type	Propagation delay time (uS)	Vs (Max) (V)	Vs (Min) (V)	Vos (offset voltage @ 25°C) (Max) (mV)	Iq per channel (Typ) (mA)	Input bias current (+/-) (Max) (nA)	Rail-to-rail	Temperature Range (°C)	Package	Replace
CBM2903	2	Open Collector	1.3	30	2	7	0.4	50	Out	-40 to 85	SOP-8 TSSOP-8	LM2903
CBM2901	4	Open Collector	1.3	30	2	7	0.2	250	Out	-40 to 85	SOP-14	LM2901

接口 RS-485 和 RS-422

PRODUCT DATA 产品数据

Part Number	Interface Protocol	Vs+ (Min)(V)	Vs+ (Max)(V)	Number Rx	Number Tx	Full or Half Duplex Operation	Data Rate (Max)(bps)	ESD Protection(kV)	Package	Replace
CBM485AS	RS-422/RS-485	4.75	5.25	1	1	Half	10M	15	SOP-8/MSOP-8	ADM485/ MAX485/SP485
CBM3085AS	RS-422/RS-485	4.75	5.25	1	1	Half	500k	15	SOP-8	MAX3085
CBM3485AS	RS-422/RS-485	3	3.6	1	1	Half	10M	15	SOP-8	ADM3485/ MAX3485

接口 RS-232

PRODUCT DATA 产品数据

Part Number	Interface Protocol	Vs+ (Min)(V)	Vs+ (Max)(V)	Number Rx	Number Tx	Shut-downion	Data Rate (Max)(bps)	ESD Protection(kV)	Package	Replace
CBM232AS	RS-232	4.5	5.5	2	2	No	120k	15	SOP-16	MAX232/ADM232A
CBM3232AS	RS-232	3	5.5	2	2	No	120k	15	SOP-16 TSSOP-16	MAX3232/ADM3232E

Part Number	Voltage-Threshold(V)	Type	Number of Voltages Monitored	Output Type	Reset Type	Reset Pulse Width (ms)	Temperature Range (°C)	Package	Replace
CBM705A	4.65	Power-On Reset/Watchdog Timer	1	Push-Pull	Active Low	160	-40 to 85	SOP-8 MSOP-8	MAX705/ADM705A
CBM706A	4.4	Power-On Reset/Watchdog Timer	1	Push-Pull	Active Low	160	-40 to 85	SOP-8 MSOP-8	MAX706/ADM706A
CBM706T	3.08	Power-On Reset/Watchdog Timer	1	Push-Pull	Active Low	160	-40 to 85	SOP-8 MSOP-8	MAX706T/ADM706T
CBM706R	2.63	Power-On Reset/Watchdog Timer	1	Push-Pull	Active Low	160	-40 to 85	SOP-8 MSOP-8	MAX706R/ADM706R
CBM706S	2.93	Power-On Reset/Watchdog Timer	1	Push-Pull	Active Low	160	-40 to 85	SOP-8 MSOP-8	MAX706S/ADM706S
CBM706P	2.63	Power-On Reset/Watchdog Timer	1	Push-Pull	Active High	160	-40 to 85	SOP-8 MSOP-8	MAX706P/ADM706P
CBM707A	4.65	Power-On Reset	1	Push-Pull/Push-Pull	Active High/Active Low	160	-40 to 85	SOP-8 MSOP-8	MAX707/ADM707A
CBM708A	4.4	Power-On Reset	1	Push-Pull/Push-Pull	Active High/Active Low	160	-40 to 85	SOP-8 MSOP-8	MAX708/ADM708A
CBM708T	3.08	Power-On Reset	1	Push-Pull/Push-Pull	Active High/Active Low	160	-40 to 85	SOP-8 MSOP-8	MAX708T/ADM708T
CBM708R	2.63	Power-On Reset	1	Push-Pull/Push-Pull	Active High/Active Low	160	-40 to 85	SOP-8 MSOP-8	MAX708R/ADM708R
CBM708S	2.93	Power-On Reset	1	Push-Pull/Push-Pull	Active High/Active Low	160	-40 to 85	SOP-8 MSOP-8	MAX708S/ADM708S
CBM812Z	2.32	Power-On Reset	1	Push-Pull	Active High	140	-40 to 85	SOT-143-4	ADM812Z
CBM812R	2.63	Power-On Reset	1	Push-Pull	Active High	140	-40 to 85	SOT-143-4	ADM812R
CBM812S	2.93	Power-On Reset	1	Push-Pull	Active High	140	-40 to 85	SOT-143-4	ADM812S
CBM812T	3.08	Power-On Reset	1	Push-Pull	Active High	140	-40 to 85	SOT-143-4	ADM812Z
CBM812M	4.38	Power-On Reset	1	Push-Pull	Active High	140	-40 to 85	SOT-143-4	ADM812M
CBM812L	4.63	Power-On Reset	1	Push-Pull	Active High	140	-40 to 85	SOT-143-4	ADM812L
CBM811Z	2.32	Power-On Reset	1	Push-Pull	Active Low	140	-40 to 85	SOT-143-4	ADM811Z
CBM811R	2.63	Power-On Reset	1	Push-Pull	Active Low	140	-40 to 85	SOT-143-4	ADM811R
CBM811S	2.93	Power-On Reset	1	Push-Pull	Active Low	140	-40 to 85	SOT-143-4	ADM811S
CBM811-3T	3.08	Power-On Reset	1	Push-Pull	Active Low	140	-40 to 85	SOT-143-4	ADM811-3
CBM811T	3.08	Power-On Reset	1	Push-Pull	Active Low	140	-40 to 85	SOT-143-4	ADM811T
CBM811M	4.38	Power-On Reset	1	Push-Pull	Active Low	140	-40 to 85	SOT-143-4	ADM811M

Part Number	Voltage-Threshold(V)	Type	Number of Voltages Monitored	Output Type	Reset Type	Reset Pulse Width (ms)	Temperature Range (°C)	Package	Replace
CBM811L	4.63	Power-On Reset	1	Push-Pull	Active Low	140	-40 to 85	SOT-143-4	ADM811L
CBM810Z	2.32	Power-On Reset	1	Push-Pull	Active High	140	-40 to 85	SC70-3 SOT23-3	ADM810Z
CBM810T	3.08	Power-On Reset	1	Push-Pull	Active High	140	-40 to 85	SC70-3 SOT23-3	ADM810T
CBM810S	2.93	Power-On Reset	1	Push-Pull	Active High	140	-40 to 85	SC70-3 SOT23-3	ADM810S
CBM810R	2.63	Power-On Reset	1	Push-Pull	Active High	140	-40 to 85	SC70-3 SOT23-3	ADM810R
CBM810M	4.38	Power-On Reset	1	Push-Pull	Active High	140	-40 to 85	SC70-3 SOT23-3	ADM810M
CBM810L	4.63	Power-On Reset	1	Push-Pull	Active High	140	-40 to 85	SC70-3 SOT23-3	ADM810L
CBM810J	4	Power-On Reset	1	Push-Pull	Active High	140	-40 to 85	SC70-3 SOT23-3	ADM810J
CBM809Z	2.32	Power-On Reset	1	Push-Pull	Active Low	140	-40 to 85	SC70-3 SOT23-3	ADM809Z
CBM809T	3.08	Power-On Reset	1	Push-Pull	Active Low	140	-40 to 85	SC70-3 SOT23-3	ADM809T
CBM809S	2.93	Power-On Reset	1	Push-Pull	Active Low	140	-40 to 85	SC70-3 SOT23-3	ADM809S
CBM809R	2.63	Power-On Reset	1	Push-Pull	Active Low	140	-40 to 85	SC70-3 SOT23-3	ADM809R
CBM809M	4.38	Power-On Reset	1	Push-Pull	Active Low	140	-40 to 85	SC70-3 SOT23-3	ADM809M
CBM809L	4.63	Power-On Reset	1	Push-Pull	Active Low	140	-40 to 85	SC70-3 SOT23-3	ADM809L
CBM809J	4	Power-On Reset	1	Push-Pull	Active Low	140	-40 to 85	SC70-3 SOT23-3	ADM809J
CBM803Z	2.32	Power-On Reset	1	Open Drain	Active Low	140	-40 to 85	SC70-3	ADM803Z
CBM803T	3.08	Power-On Reset	1	Open Drain	Active Low	140	-40 to 85	SC70-3	ADM803T
CBM803S	2.93	Power-On Reset	1	Open Drain	Active Low	140	-40 to 85	SC70-3	ADM803S
CBM803R	4.38	Power-On Reset	1	Open Drain	Active Low	140	-40 to 85	SC70-3	ADM803R
CBM803M	4.38	Power-On Reset	1	Open Drain	Active Low	140	-40 to 85	SC70-3	ADM803M
CBM803L	4.63	Power-On Reset	1	Open Drain	Active Low	140	-40 to 85	SC70-3	ADM803L
CBM1232A	4.5	Power-On Reset/Watchdog Timer	1	Push-Pull/Open Drain	Active High/Active Low	250	-40 to 85	SOP-8 DIP-8	MAX1232

Part Number	Vin (Min) (V)	Vin (Max) (V)	Vout (Min)(V)	Vout (Max)(V)	Iout (Max)(A)	Regulated outputs(#)	Switching frequency (Min)(kHz)	Switching frequency (Max)(kHz)	Iq(Typ) (mA)	Temperature Range (°C)	Package	Replace
CBM1764XX-1.5,1.8,2.5,3.3,ADJ	2.7	20	1.2	20	3	1	--	--	1.5	-40 to 125	TO-263-5,TO-220-5	LT1764
CBM317	3	40	1.25	37	1.5	1	--	--	10	-40 to 125	TO-263-3,TO-252-3	LM317
CBM1117XX-1.2,1.25,1.5,1.8,2.5,3.3,5	2.6	15	1.2	13.8	0.8	1	--	--	5.2	-40 to 125	SOT-223-4,TO-252-3	LM1117
CBM2576XX-3.3,5V,12V,15V,ADJ	4	40	3.3	37	3	1	42	63	10	-40 to 125	TO-263-5,TO-220-5	LM2576
CBM2576HVS-3.3,5V,12V,ADJ	4	60	3.3	37	3	1	42	63	10	-40 to 125	TO-263-5,TO-220-5	LM2576HVS
CBM2596XX-3.3,5V,12,ADJ	4.5	40	3.3	37	3	1	110	173	5	-40 to 125	TO-263-5,TO-220-5	LM2596

Part Number	VSUPPLY (V)	Time Keeping Current(uA)	CL(pF)	Memory Type	Interface	Functions	Temperature Range(°C)	Package	Replace
CBM1307	5	0.3	12.5	NV SRAM	I2C	RTC	-40 to 85	SOP-8	DS1307
CBM1302	2 to 5.5	0.2	6	NV SRAM	3-Wire	RTC	-40 to 85	SOP-8	DS1302
CBM13S38A	1.71 to 5.5	0.8	12.5	NV SRAM	I2C	RTC	-40 to 85	SOP-8 SOP-16 MSOP-8	DS1338
CBM13S39A	1.71 to 5.5	0.3	6	None	I2C	RTC	-40 to 85	MSOP-8	DS1339
CBM32S31A	2.3 to 5.5	0.84	--	None	I2C	RTC	-40 to 85	SOP-16	DS3231
CBM32S32A	2.3 to 5.5	0.15	--	NV SRAM	I2C	RTC	-40 to 85	SOP-20	DS3232
CBM32S34A	2.0 to 5.5	0.15	--	NV SRAM	SPI	RTC	-40 to 85	SOP-20	DS3234

Part Number	Drivers per package	Switching voltage (Max)(V)	Output voltage (Max)(V)	Peak output current(mA)	Delay time (Typ)(ns)	Input compatibility	Vol@lowest spec current (Typ)(mV)	Iout/ch (Max)(mA)	Iout_off (Typ)(uA)	Temperature Range(°C)	Package	Replace
CBM2003A	7	50	50	500	250	CMOS,TTL	900	500	50	-40 to 85	SOP-16	ULN2003A
CBM2004A	7	50	50	500	250	CMOS	900	500	50	-40 to 85	SOP-16	ULN2004A